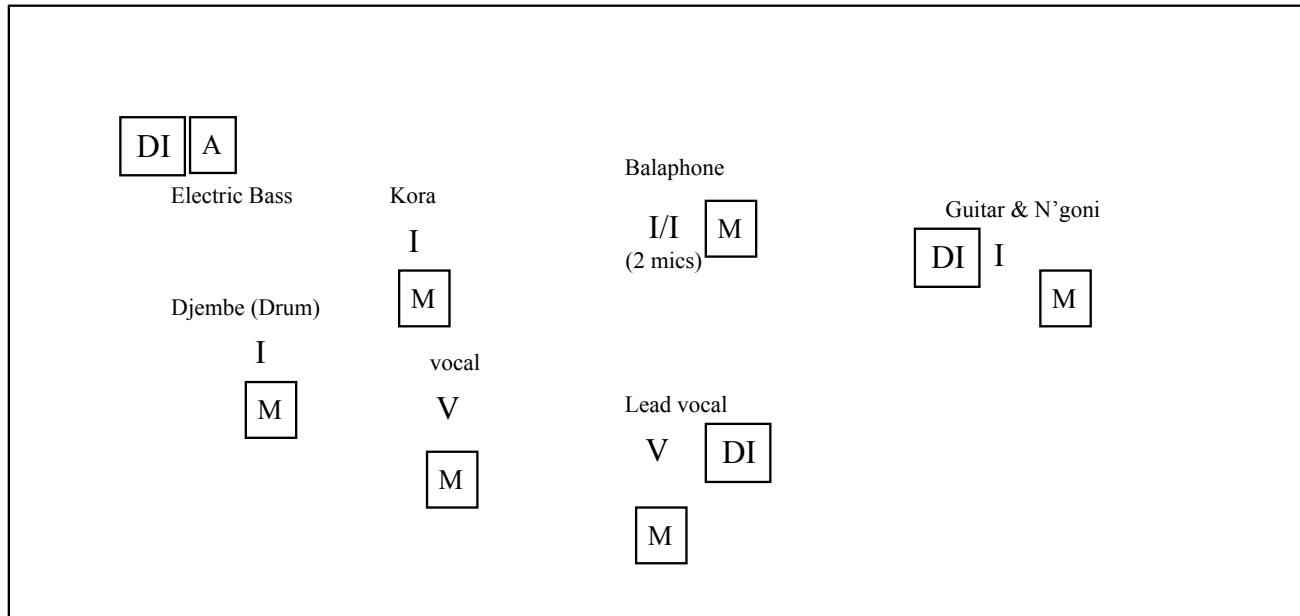


Basic technical rider for
Abdoulaye Diabate & Super Manden Backstage



V = Vocal mic
 I = Instrument mic
 All mics on boom stands

**Kora is a 21 string hand-held harp/lute
 Balaphone is similar to a marimba
 N'goni is like a small guitar**

A = Amplifier (Bass amplifier provided by presenter)
M = Monitor
DI = Direct input

Contact: Kaisha S. Johnson
 kjohnson@ctmd.org
 (212) 571-1555 x23